

Septa Pro P1 pneumatic metal dual flushplate

ILLUSTRATED

S0775 Septa Pro P1 pneumatic metal dual flushplate Armitage Shanks

OPTIONS


- R0312** ProSys 820mm height, pneumatic wall hung wc frame 150 depth, front or top actuation
- R0313** ProSys 1150mm height, pneumatic wall hung WC frame, 120 depth, front actuation
- R0315** ProSys 1150mm height, 3 adjustable heights, pneumatic wall hung WC frame, 120 depth, front actuation
- R0316** ProSys 150 depth WC cistern, pneumatic front or top actuation
- R0318** ProSys 120 depth WC cistern, pneumatic, front actuation
- R0137** Septa Pro inspection plate white

ILLUSTRATED PRODUCT DETAILS

Weights

S0775 0.56 KG

Finishes

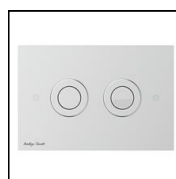
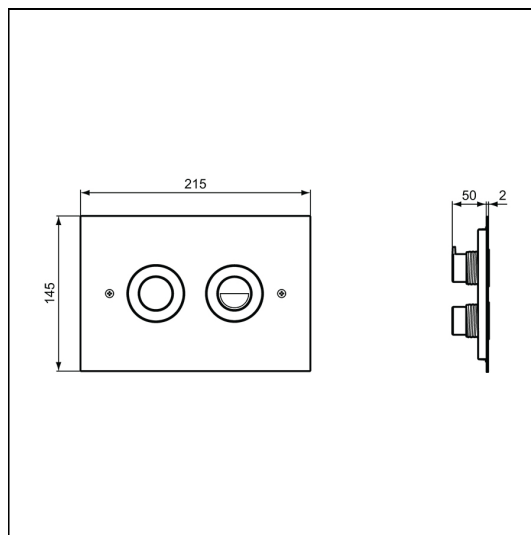
S0775  Stainless Steel finish (MY)

Materials

S0775 Stainless Steel

Special Notes

For use with ProSys mechanical actuation WC frames and cisterns.



FEATURES

