

Septa Pro P3 pneumatic metal single small flushplate

ILLUSTRATED

S0776 Speta Pro P3 pneumatic metal single small flushplate
Armitage Shanks

OPTIONS


- R0312** ProSys 820mm height, pneumatic wall hung wc frame 150 depth, front or top actuation
- R0313** ProSys 1150mm height, pneumatic wall hung WC frame, 120 depth, front actuation
- R0315** ProSys 1150mm height, 3 adjustable heights, pneumatic wall hung WC frame, 120 depth, front actuation
- R0316** ProSys 150 depth WC cistern, pneumatic front or top actuation
- R0318** ProSys 120 depth WC cistern, pneumatic, front actuation
- R0137** Septa Pro inspection plate white

ILLUSTRATED PRODUCT DETAILS

Weights

S0776 0.39 KG

Finishes

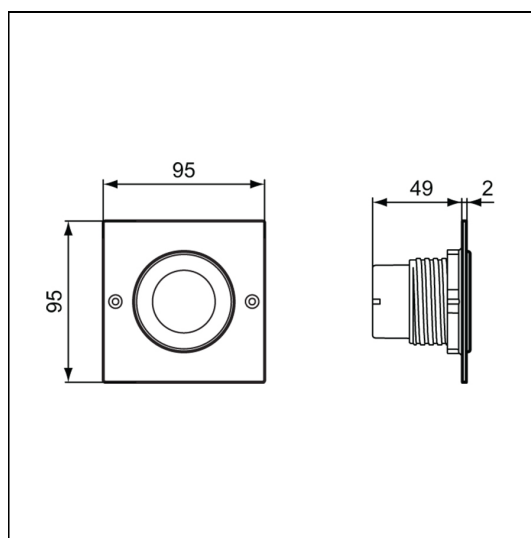
S0776  Stainless Steel finish (MY)

Materials

S0776 Stainless Steel

Special Notes

For use remotely from the cistern/frame.



FEATURES

