

Edit S 50cm Countertop Washbasin

ILLUSTRATED

- S0809** Edit S 50cm Countertop Washbasin, 1 taphole with overflow
- A6587** Tesi single lever basin mixer with 5 litre per minute eco flow regulator, no waste
- S8722** Waste 1¼" brass strainer waste, 80mm slotted tail
- S8910** Trap 1¼" plastic bottle, 75mm seal, multi-purpose outlet

ILLUSTRATED PRODUCT DETAILS

Sizes

S0809 w:500

Weights

S0809 9.25 KG

A6587 1.44 KG

S8722 0.22 KG

S8910 0.20 KG

Materials

S0809 Vitreous China

A6587 Chrome Plated Metal

S8722 Chrome Plated Metal


S8910 Plastic

Finishes

S0809  White (01)

A6587  Chrome (AA)

S8722  Chrome (AA)

S8910  Neutral/No Finish (67)

Capacity

S0809 3.1 litres

Flow rates

A6587 5 Litres per minute @ 3 bar pressure

Designer

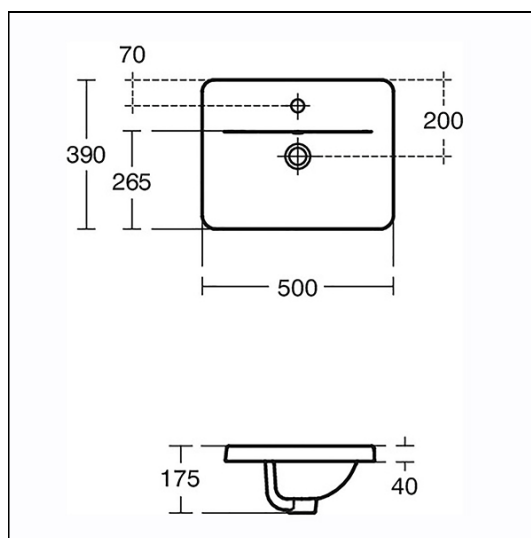
Robin Levien, RDI

Standards

Washbasin to BS EN 14688 and BS EN 31

Special Notes

Self rimming for drop-in installation as per template supplied. Joint sealed with waterproof sealant (not supplied). Consideration should be given to safe hot water delivery and the use of an appropriate temperature reduction device (see A5900AA or Part G for guidance).



FEATURES

