

Edit Assist 60cm Accessible Washbasin

ILLUSTRATED

- S0822** Edit Assist 60cm Accessible Washbasin, 1 taphole with overflow
- E0157** Wall fixing set
- A6696** (TP6) Markwik 21+ 1 hole thermostatic basin mixer, single sequential lever, demountable with copper tails
- S8803** Waste 1¼" Click plug waste, 80mm slotted tail
- E0079** Trap 1¼" Contemporary metal bottle, 75mm seal

ILLUSTRATED PRODUCT DETAILS

Sizes

S0822 w:600

Weights

S0822 14.00 KG

E0157 0.16 KG

A6696 2.50 KG

S8803 1.00 KG

E0079 1.45 KG

Materials

S0822 Vitreous China

E0157 Metal


A6696 Chrome Plated Brass

S8803 Chrome Plated Metal

E0079 Chrome Plated Metal

Finishes

S0822  White (01)

E0157  Neutral/No Finish (67)

A6696  Chrome (AA)

S8803  Chrome (AA)

E0079  Chrome (AA)

Capacity

S0822 4.3 litres

Flow rates

A6696 7.9 Litres per minute @ 3 bar pressure

Designer

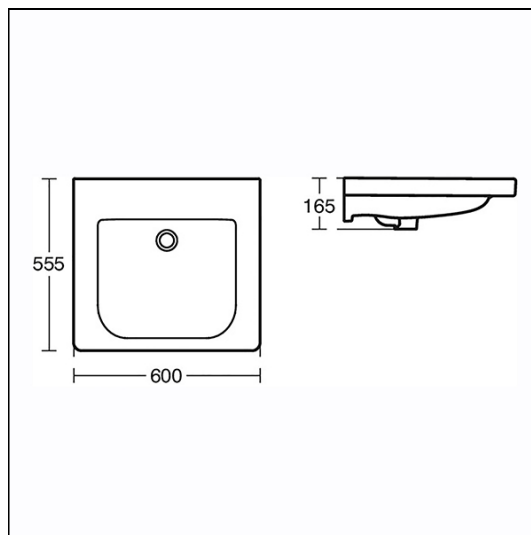
Robin Levien, RDI

Standards

Washbasin to BS EN 14688 and BS EN 31

Special Notes

Suitable for use in public areas and Doc M. Washbasin wall mounted using E0157 rag bolts. Please refer to NBN 00-10 Part C sanitaryware assembly for installation heights in healthcare applications.



FEATURES

