

Septa Pro P2 pneumatic metal small flushplate

ILLUSTRATED

S0860 Septa Pro P2 pneumatic metal dual small flushplate
Armitage Shanks

OPTIONS

- R0312** ProSys 820mm height, pneumatic wall hung wc frame 150 depth, front or top actuation
- R0313** ProSys 1150mm height, pneumatic wall hung WC frame, 120 depth, front actuation
- R0315** ProSys 1150mm height, 3 adjustable heights, pneumatic wall hung WC frame, 120 depth, front actuation
- R0316** ProSys 150 depth WC cistern, pneumatic front or top actuation
- R0318** ProSys 120 depth WC cistern, pneumatic, front actuation
- R0137** Septa Pro inspection plate white

ILLUSTRATED PRODUCT DETAILS

Weights

S0860 0.49 KG

Finishes

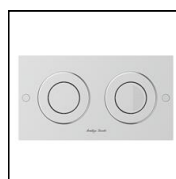
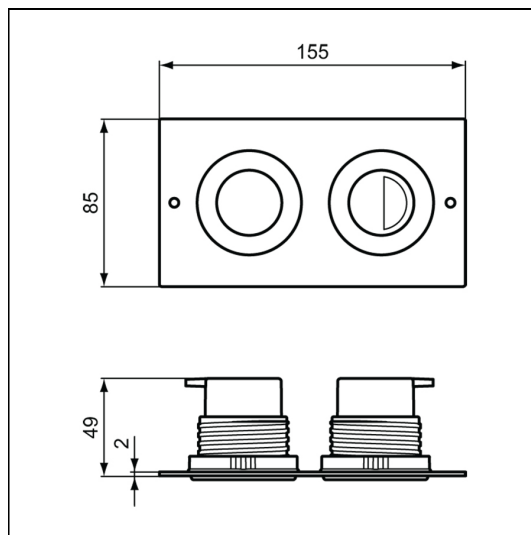
S0860  Stainless Steel (MY)

Materials

S0860 Stainless Steel

Special Notes

For use with ProSys pneumatic actuation WC frames and cisterns. For use remotely from the cistern/frame.



FEATURES

