

Edit R Back to Wall WC bowl

ILLUSTRATED

- S1078** Edit R back to wall wc bowl with horizontal outlet
- R0317** ProSys 120 depth WC cistern, mechanical, front actuation
- S0798** Edit R Toilet Seat and Cover - soft close
- S0767** Oleas M2 mechanical dual flushplate Armitage Shanks - chrome

OPTIONS

- E2125** Conceala 2 concealed cistern universal height, side inlet cistern - pneumatic dual flush valve - no flushplate - 6/4 litre flush
- S4399** Contemporary flush plate dual flush for Conceala 2 cisterns
- S4503** Contemporary flush plate dual flush, stainless steel for Conceala 2 cisterns
- S0858** Septa Pro M1 mechanical metal dual flushplate Armitage Shanks

ILLUSTRATED PRODUCT DETAILS




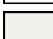
Weights

- S1078** 25.35 KG
- R0317** 2.92 KG
- S0798** 2.30 KG
- S0767** 0.34 KG

Materials

- S1078** Vitreous China
- R0317** Mixed Material
- S0798** Plastic
- S0767** Mixed Material

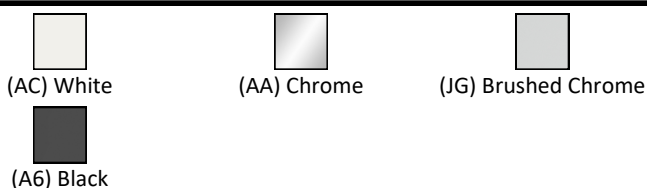
Finishes

- S1078**  White (01)
- R0317**  Neutral / No Finish (67)
- S0798**  White (01)
- S0767**  White (AC)

Designer

Robin Levien, RDI

FINISH OPTIONS

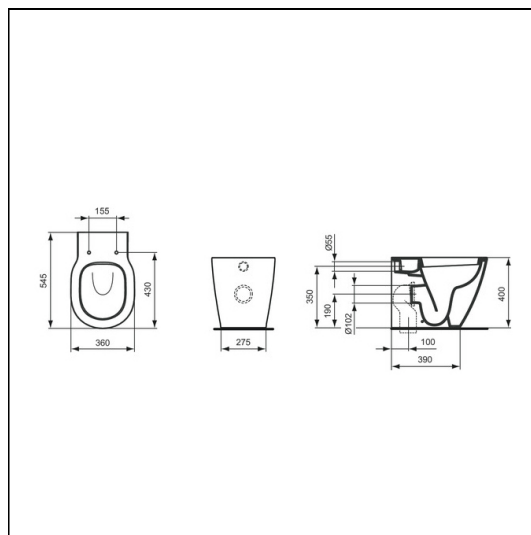


Standards

WC bowl to BS EN 997 and BS EN 33

Special Notes

WC pan screwed to floor using concealed brackets (supplied).



FEATURES

