

Broadway II 120cm Washing Trough

ILLUSTRATED

- S1239** Broadway II 120cm washing trough, undrilled for panel mounted taps or may be drilled at the pre-marked drilling points, complete with chromium plated wastes, vanity unit mounted
- A4849** Sensorflow 21 compact 230mm panel mounted spout with integral sensor, 3.7 litre per minute aerated spray outlet, combined inline servicing valve and filter, mains
- S8910** Trap 1¼" plastic bottle, 75mm seal, multi-purpose outlet

OPTIONS

- A4850** Sensorflow 21 compact 230mm panel mounted spout with integral sensor, 3.7 litre per minute aerated spray outlet, combined inline servicing valve and filter, link
- S8920** Trap 1¼" plastic resealing bottle, 75mm seal, multi-purpose outlet
- A5900** TMV thermostatic mixing valve, 15mm

ILLUSTRATED PRODUCT DETAILS

Sizes

S1239 L:1200

Weights

S1239 27.00 KG

A4849 2.30 KG

S8910 0.20 KG

Materials

S1239 Solid Surface


A4849 Chrome Plated Brass

S8910 Plastic

Finishes

S1239  White (01)

A4849  Chrome (AA)

S8910  Neutral / No Finish (67)

Flow rates

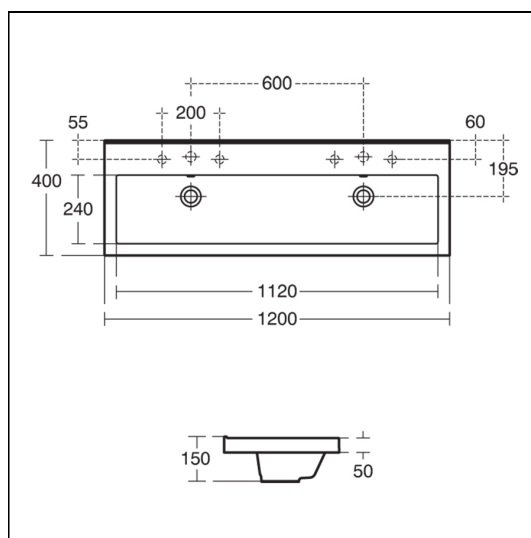
A4849 3.7 Litres per minute @ 3 bar pressure

FINISH OPTIONS



Special Notes

Washing trough fits to framing or cabinet using M6 screws (not supplied)



FEATURES

