

# Denholm (New) Stainless Steel 51cm Washbasin

## ILLUSTRATED

- S1243** Denholm (New) stainless steel 51cm washbasin with no tapholes, no overflow or chainstay hole
- B8267** Avon 21 inclined non-concussive washbasin pillar taps (pair) with dual hot and cold indices per tap, self closing push button, water saving anti-vandal spout regulated to 3.7 litres per minute maximum
- S8734** Waste 1½" brass swivel plug waste, 80mm unslotted tail
- S8920** Trap 1½" plastic resealing bottle, 75mm seal, multi-purpose outlet

## OPTIONS

- A5900** TMV thermostatic mixing valve, 15mm

## ILLUSTRATED PRODUCT DETAILS

### Sizes

**S1243** w:51 x d:42



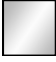

### Weights

- S1243** 3.50 KG
- B8267** 2.25 KG
- S8734** 0.35 KG
- S8920** 2.00 KG

### Materials

- S1243** Stainless Steel
- B8267** Chrome Plated Brass
- S8734** Chrome Plated Metal
- S8920** Plastic

### Finishes

- S1243**  Stainless Steel finish (MY)
- B8267**  Chrome (AA)
- S8734**  Chrome (AA)
- S8920**  Neutral / No Finish (67)

### Flow rates

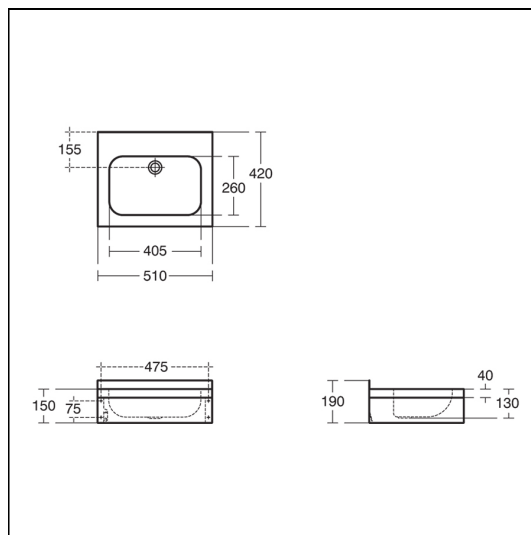
- B8267** 3.7 Litres per minute @ 3 bar pressure

### Standards

Steel sheet conforms to BS EN 10088:Part2:2005 Material 1.4301 (304) - 0.9mm. NHS specification HBN 00-10. EN 14688.

### Special Notes

Consideration should be given to safe hot water delivery and the use of an appropriate temperature reduction device see A5900AA or Part G for guidance. Stainless steel screw to wall brackets, bolts and earthing tag included.



## FEATURES

