

# Doon Sink 120x65cm LH Drainer, No Taphole HTM63

## ILLUSTRATED

- S1250** (ST A HTM63) Doon sink, single bowl left hand drainer 120 x 65cm, no tapholes, no overflow HTM63 profile
- S8270** (TB H1) Markwik ½" lever action bib taps
- B1686** Nimbus 21 concealed bib tap wall mount with self centralising installation (pair)
- S8760** Waste 1½" unslotted strainer waste, 50mm long, 75mm dia. brass
- S8925** (TRR2/P) Trap 1½" plastic resealing bottle with 75mm seal, multi-purpose outlet

## OPTIONS

- B1682** Nimbus 21 1/2" x 75mm bib tap extensions (pair)
- S8915** Trap 1½" plastic bottle with 75mm seal, multi-purpose outlet

## ILLUSTRATED PRODUCT DETAILS



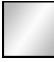


### Weights

- S1250** 11.00 KG
- S8270** 1.65 KG
- S8760** 0.23 KG
- S8925** 0.33 KG

### Materials

- S1250** Stainless Steel
- S8270** Chrome Plated Brass
- B1686** Chrome Plated Brass
- S8760** Chrome Plated Metal
- S8925** Plastic

### Finishes

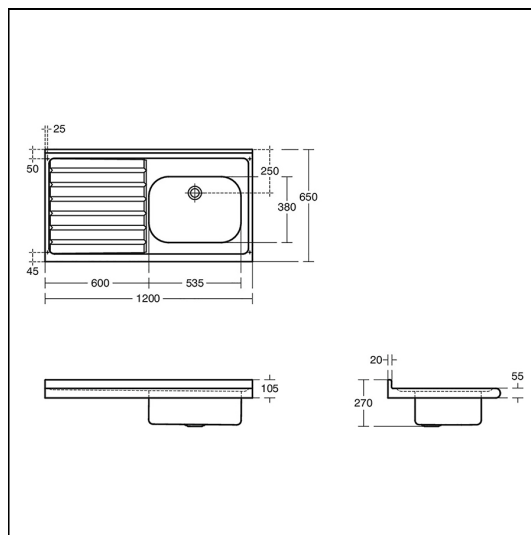
- S1250**  Stainless Steel finish (MY)
- S8270**  Chrome (AA)
- B1686**  Chrome (AA)
- S8760**  Chrome (AA)
- S8925**  Neutral / No Finish (67)

### Standards

Stainless steel sheet to BS EN 10088: Part 2: 2005. Conforms to Metal sinks BS EN 13310.

### Special Notes

For vanity mounting only, not for wall mounting.



## FEATURES

