

# Calder (New) Washing Trough 240cm Centre Outlet 2in Domed Waste, 4 Taphole

## ILLUSTRATED

- S1264** Calder (New) stainless steel washing trough 240cm long, 4 taphole positions, central outlet with 2" domed waste
- B8861** Avon 21 1 hole washbasin mixer, self closing push button, variable temperature with copper tube inlets. Flow regulated to 4.7 litres per minute maximum.
- A5900** TMV thermostatic mixing valve, 15mm

## OPTIONS

- A6697** Contour 21+ 1 hole thermostatic basin mixer, single sequential lever with copper tails
- BC121** Contour 21+ single lever 1 hole basin mixer, no waste, flexible tails

## ILLUSTRATED PRODUCT DETAILS

### Sizes

**S1264** l:2400




### Weights

**S1264** 19.00 KG  
**B8861** 2.45 KG  
**A5900** 0.50 KG

### Materials

**S1264** Stainless Steel  
**B8861** Chrome Plated Brass  
**A5900** Chrome Plated Metal

### Finishes

**S1264**  Stainless Steel finish (MY)  
**B8861**  Chrome (AA)  
**A5900**  Chrome (AA)

### Flow rates

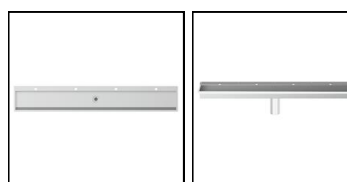
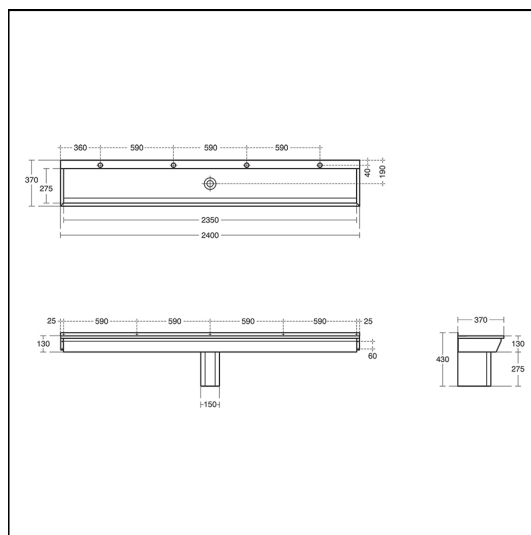
**B8861** 4.7 Litres per minute @ 3 bar pressure

### Standards

Stainless steel sheet to BS EN 10088:Part 2:2005. EN 14296.

### Special Notes

Consideration should be given to safe hot water delivery and the use of an appropriate temperature reduction device see A5900AA



## FEATURES

