

# Calder (New) Washing Trough 120cm Centre Outlet 2in Domed Waste, 2 Taphole

## ILLUSTRATED

- S1266** Calder (New) stainless steel washing trough 120cm long 2 taphole positions, central outlet with 2" domed waste
- B8861** Avon 21 1 hole washbasin mixer, self closing push button, variable temperature with copper tube inlets. Flow regulated to 4.7 litres per minute maximum.
- A5900** TMV thermostatic mixing valve, 15mm

## OPTIONS

- A6697** Contour 21+ 1 hole thermostatic basin mixer, single sequential lever with copper tails

## ILLUSTRATED PRODUCT DETAILS

### Sizes

**S1266** l:1200

### Weights

**S1266** 9.00 KG

**B8861** 2.45 KG

**A5900** 0.50 KG


### Materials

**S1266** Stainless Steel

**B8861** Chrome Plated Brass

**A5900** Chrome Plated Metal

### Finishes

**S1266**  Stainless Steel finish (MY)

**B8861**  Chrome (AA)

**A5900**  Chrome (AA)

### Flow rates

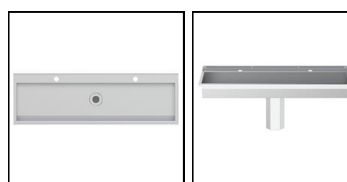
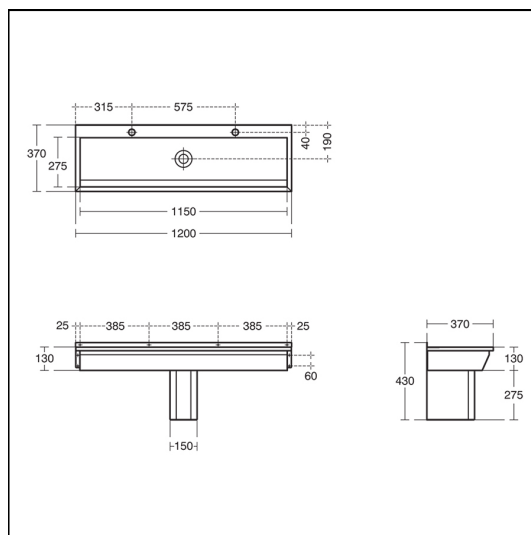
**B8861** 4.7 Litres per minute @ 3 bar pressure

### Standards

Stainless steel sheet to BS EN 10088:Part 2:2005. NHS specification HBN 00-10. EN 14296.

### Special Notes

Consideration should be given to safe hot water delivery and the use of an appropriate temperature reduction device see A5900AA



## FEATURES

