

Denholm (New) Stainless Steel 51cm Washbasin

ILLUSTRATED

- S1269** Denholm (New) stainless steel 51cm washbasin with right hand taphole, no overflow or chainstay hole
- B8861** Avon 21 1 hole washbasin mixer, self closing push button, variable temperature with copper tube inlets. Flow regulated to 4.7 litres per minute maximum.
- S8734** Waste 1¼" brass swivel plug waste, 80mm unslotted tail
- S8920** Trap 1¼" plastic resealing bottle, 75mm seal, multi-purpose outlet

OPTIONS

- A5900** TMV thermostatic mixing valve, 15mm

ILLUSTRATED PRODUCT DETAILS

Sizes

S1269 w:51 x d:42

Weights

S1269 3.50 KG

B8861 2.45 KG

S8734 0.35 KG

S8920 2.00 KG

Materials


S1269 Stainless Steel

B8861 Chrome Plated Brass

S8734 Chrome Plated Metal

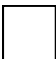
S8920 Plastic

Finishes

S1269  Stainless Steel finish (MY)

B8861  Chrome (AA)

S8734  Chrome (AA)

S8920  Neutral / No Finish (67)

Flow rates

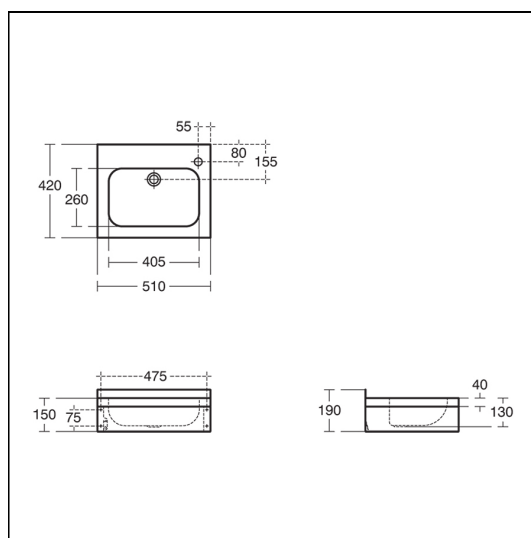
B8861 4.7 Litres per minute @ 3 bar pressure

Standards

Steel sheet conforms to BS EN 10088:Part2:2005 Material 1.4301 (304) - 0.9mm. NHS specification HBN 00-10. EN 14688.

Special Notes

Consideration should be given to safe hot water delivery and the use of an appropriate temperature reduction device see A5900AA or Part G for guidance. Stainless steel screw to wall brackets, bolts and earthing tag included.



FEATURES

