

Denholm (New) Stainless Steel 51cm Washbasin




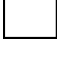
ILLUSTRATED

- S1270** Denholm (New) stainless steel 51cm washbasin with two tapholes, overflow and chainhole
- B8267** Avon 21 inclined non-concussive washbasin pillar taps (pair) with dual hot and cold indices per tap, self closing push button, water saving anti-vandal spout regulated to 3.7 litres per minute maximum
- S8733** Waste 1¼" brass anti theft swivel plug waste, 80mm slotted tail
- S8920** Trap 1¼" plastic resealing bottle, 75mm seal, multi-purpose outlet

OPTIONS

- A5900** TMV thermostatic mixing valve, 15mm

ILLUSTRATED PRODUCT DETAILS

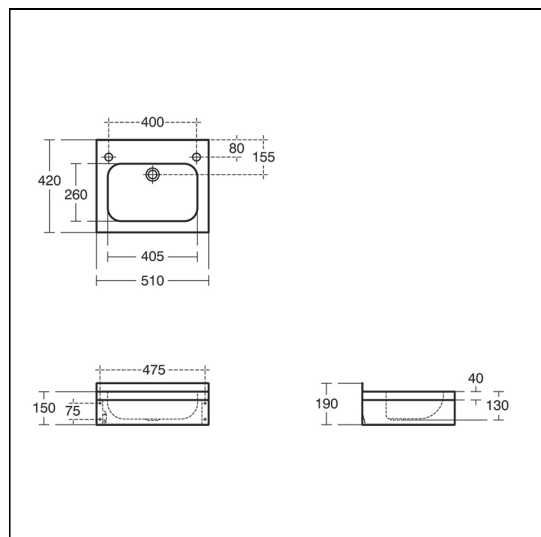
Sizes	Finishes
S1270 w:51 x d:42	S1270  Stainless Steel finish (MY)
Weights	B8267  Chrome (AA)
S1270 3.50 KG	S8733  Chrome (AA)
B8267 2.25 KG	S8920  Neutral / No Finish (67)
S8733 0.35 KG	Flow rates
S8920 2.00 KG	B8267 3.7 Litres per minute @ 3 bar pressure
Materials	
S1270 Stainless Steel	
B8267 Chrome Plated Brass	
S8733 Chrome Plated Metal	
S8920 Plastic	

Standards

Steel sheet conforms to BS EN 10088:Part2:2005 Material 1.4301 (304) - 0.9mm. EN 14688.

Special Notes

Consideration should be given to safe hot water delivery and the use of an appropriate temperature reduction device see A5900AA or Part G for guidance. Stainless steel screw to wall brackets, bolts and earthing tag included.



FEATURES

