

# Denholm (New) Stainless Steel 51cm Washbasin

## ILLUSTRATED

- S1271** Denholm (New) 51cm stainless steel washbasin and full shroud complete with 2 corner tapholes, combined chainstay and overflow waste
- B8267** Avon 21 inclined non-concussive washbasin pillar taps (pair) with dual hot and cold indices per tap, self closing push button, water saving anti-vandal spout regulated to 3.7 litres per minute maximum
- S8733** Waste 1¼" brass anti theft swivel plug waste, 80mm slotted tail
- S8920** Trap 1¼" plastic resealing bottle, 75mm seal, multi-purpose outlet

## ILLUSTRATED PRODUCT DETAILS

### Sizes

**S1271** w:51 x d:42





### Weights

- S1271** 11.00 KG
- B8267** 2.25 KG
- S8733** 0.35 KG
- S8920** 2.00 KG

### Materials

- S1271** Stainless Steel
- B8267** Chrome Plated Brass
- S8733** Chrome Plated Metal
- S8920** Plastic

### Finishes

- S1271**  Stainless Steel finish (MY)
- B8267**  Chrome (AA)
- S8733**  Chrome (AA)
- S8920**  Neutral / No Finish (67)

### Flow rates

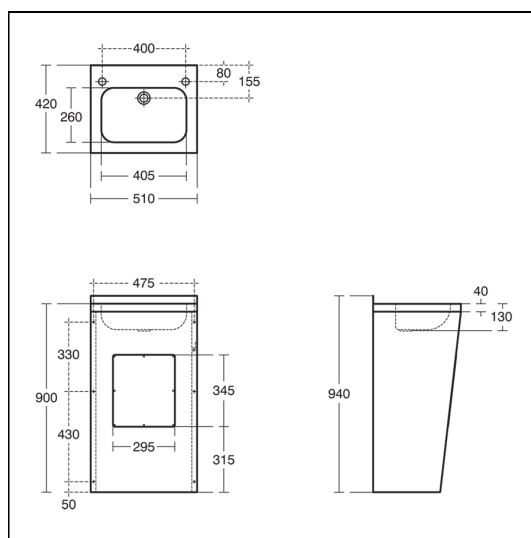
**B8267** 3.7 Litres per minute @ 3 bar pressure

### Standards

Steel sheet conforms to BS EN 10088:Part2:2005 Material 1.4301 (304) - 0.9mm. NHS specification HBN 00-10. EN 14688.

### Special Notes

Earthing tag and brackets and full shroud included. Consideration should be given to safe hot water delivery and the use of an appropriate temperature reduction device see A5900AA or Part G for guidance. Stainless steel screw to wall brackets and bolts included.



## FEATURES

