

# Doon Sink 120x65cm LH Drainer, 2 Taphole HTM63

## ILLUSTRATED

- S1272** (ST A HTM63) Doon sink, single bowl left hand drainer 120 x 65cm 2 tapholes at 200mm centres, no overflow HTM63 profile
- S8265** (TP 3) Markwik ½" lever action high neck pillar taps
- S8760** Waste 1½" unslotted strainer waste, 50mm long, 75mm dia. brass
- S8925** (TRR2/P) Trap 1½" plastic resealing bottle with 75mm seal, multi-purpose outlet

## OPTIONS

- S8915** Trap 1½" plastic bottle with 75mm seal, multi-purpose outlet

## ILLUSTRATED PRODUCT DETAILS



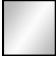

### Weights

- S1272** 11.00 KG
- S8265** 2.29 KG
- S8760** 0.23 KG
- S8925** 0.33 KG

### Materials

- S1272** Stainless Steel
- S8265** Chrome Plated Brass
- S8760** Chrome Plated Metal
- S8925** Plastic

### Finishes

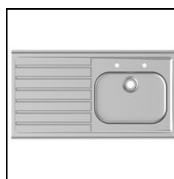
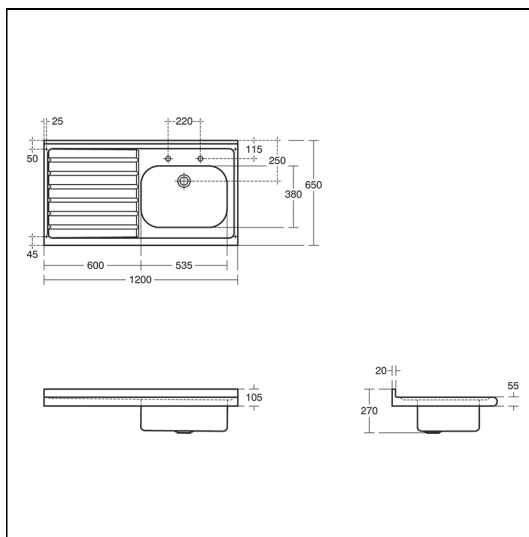
- S1272**  Stainless Steel finish (MY)
- S8265**  Chrome (AA)
- S8760**  Chrome (AA)
- S8925**  Neutral / No Finish (67)

### Standards

Stainless steel sheet to BS EN 10088: Part 2: 2005. Conforms to Metal sinks BS EN 13310.

### Special Notes

For vanity mounting only, not for wall mounting.



## FEATURES

