

# Doon Sink 120x60cm LH Drainer, 2 Taphole

## ILLUSTRATED

- S1276** (ST A) Doon sink, single bowl left hand drainer 120 x 60cm, 2 tapholes at 200mm centres, no overflow
- S8265** (TP 3) Markwik ½" lever action high neck pillar taps
- S8925** (TRR2/P) Trap 1½" plastic resealing bottle with 75mm seal, multi-purpose outlet

## OPTIONS

- S9281** Leg 900mm stainless steel to floor (2 required)

## ILLUSTRATED PRODUCT DETAILS




### Weights

- S1276** 11.00 KG
- S8265** 2.29 KG
- S8925** 0.33 KG

### Materials

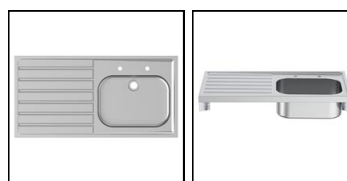
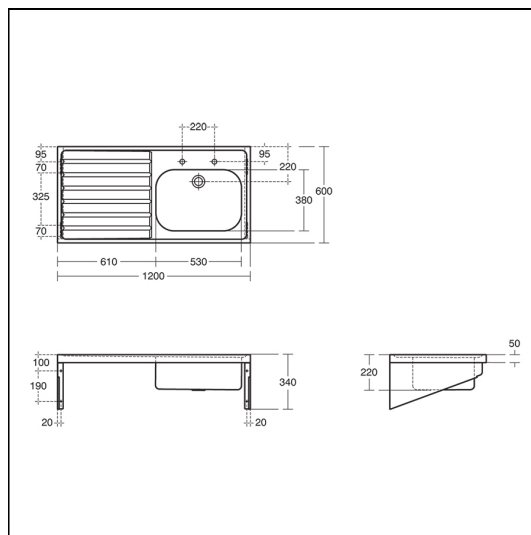
- S1276** Stainless Steel
- S8265** Chrome Plated Brass
- S8925** Plastic

### Finishes

- S1276**  Stainless Steel finish (MY)
- S8265**  Chrome (AA)
- S8925**  Neutral / No Finish (67)

### Standards

Stainless steel sheet to BS EN 10088: Part 2: 2005. Conforms to Metal sinks BS EN 13310. NHS specification 00-10.



## FEATURES

