

Firth Trough 160cm LH Waste Cover & Hangers

ILLUSTRATED

- S1281** (SU H) Firth 160cm scrub-up trough, left hand outlet strainer waste, trap cover and hangers
- A6737** (TB H6) Markwik 21+ panel mounted thermostatic basin mixer, time flow sensor, demountable with fixed spout
- S8925** (TRR2/P) Trap 1½" plastic resealing bottle with 75mm seal, multi-purpose outlet

ILLUSTRATED PRODUCT DETAILS

Sizes

S1281 l:1600

Weights

S1281 23.00 KG

A6737 3.60 KG

S8925 0.33 KG

Materials

S1281 Stainless Steel

A6737 Chrome Plated Brass

S8925 Plastic


Standards

Manufactured from 1.5 mm Stainless Steel 1.4301 (304) to BS EN 10088:Part2:2005. EN14296.


Special Notes

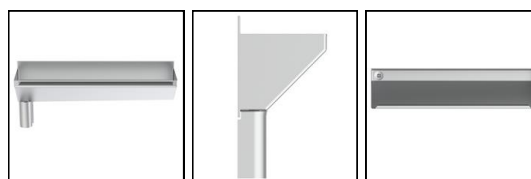
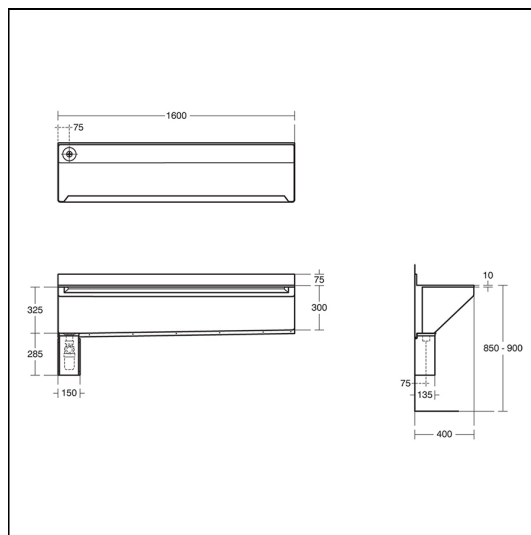
For use in connection with surgical washing of forearms and hands see further pages for TB H6 details A6062 Markwik time flow thermostatic, sensor mixer

Finishes

S1281  Stainless Steel finish (MY)

A6737  Chrome (AA)

S8925  Neutral / No Finish (67)



FEATURES

