

# Firth Trough 160cm RH Waste Cover & Hangers

## ILLUSTRATED

- S1282** (SU H) Firth 160cm scrub-up trough, right hand outlet strainer waste, trap cover and hangers
- A6737** (TB H6) Markwik 21+ panel mounted thermostatic basin mixer, time flow sensor, demountable with fixed spout
- S8925** (TRR2/P) Trap 1½" plastic resealing bottle with 75mm seal, multi-purpose outlet

## ILLUSTRATED PRODUCT DETAILS

### Sizes

**S1282** l:1600

### Weights

**S1282** 23.00 KG

**A6737** 3.60 KG

**S8925** 0.33 KG

### Materials

**S1282** Stainless Steel

**A6737** Chrome Plated Brass

**S8925** Plastic


### Standards

Manufactured from 1.5 mm Stainless Steel 1.4301 (304) to BS EN 10088:Part2:2005. EN 14296.


### Special Notes

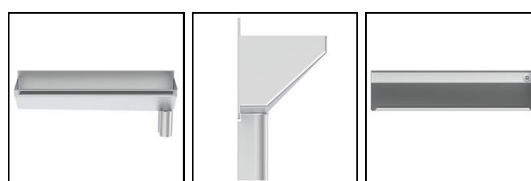
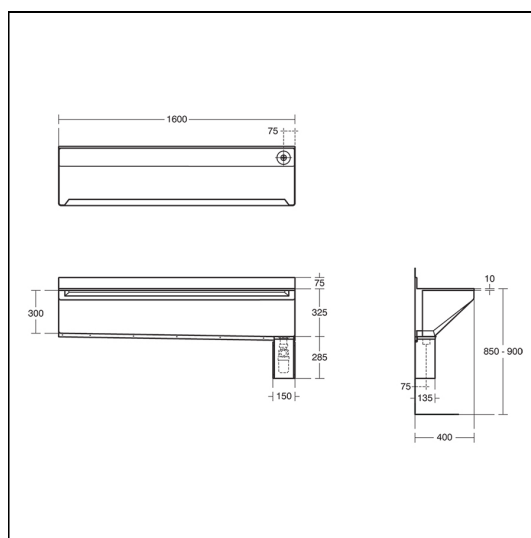
For use in connection with surgical washing of forearms and hands see further pages for TB H6 details A6062 Markwik time flow thermostatic, sensor mixer

### Finishes

**S1282**  Stainless Steel finish (MY)

**A6737**  Chrome (AA)

**S8925**  Neutral / No Finish (67)



## FEATURES

