

Firth Trough 80cm RH Waste Cover & Hangers

ILLUSTRATED

- S1285** (SU H) Firth 80cm scrub-up trough, right hand outlet strainer waste, trap cover and hangers
- A6737** (TB H6) Markwik 21+ panel mounted thermostatic basin mixer, time flow sensor, demountable with fixed spout
- S8925** (TRR2/P) Trap 1½" plastic resealing bottle with 75mm seal, multi-purpose outlet

ILLUSTRATED PRODUCT DETAILS

Sizes

S1285 l:800

Weights

S1285 11.00 KG

A6737 3.60 KG

S8925 0.33 KG

Materials

S1285 Stainless Steel

A6737 Chrome Plated Brass

S8925 Plastic


Standards

Manufactured from 1.5 mm Stainless Steel 1.4301 (304) to BS EN 10088:Part2:2005. NHS specification HBN 00-10. EN 14296.


Special Notes

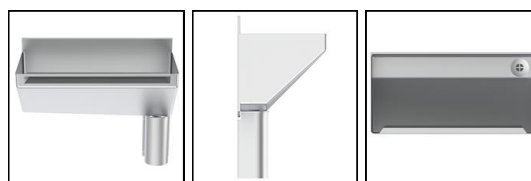
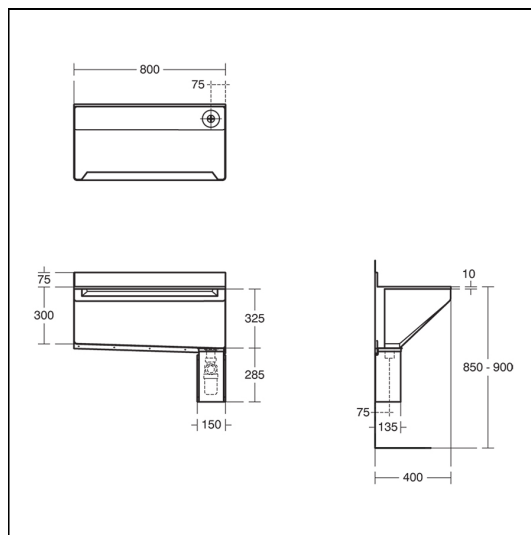
For use in connection with surgical washing of forearms and hands see further pages for TB H6 details A6062 Markwik time flow thermostatic, sensor mixer

Finishes

S1285  Stainless Steel finish (MY)

A6737  Chrome (AA)

S8925  Neutral / No Finish (67)



FEATURES

