

Stewart (New) Sink, Single bowl, RH drainer

ILLUSTRATED

- S1298** Stewart (New) inset stainless steel single bowl sink, no overflow and right hand drainer, 920mm x 500mm, 2 tapholes at 200mm centres
- S8265** (TP 3) Markwik ½" lever action high neck pillar taps
- S8768** (WT4) Waste 1½" unslotted chain waste, plug and screw stay, 90mm tail
- S8925** (TRR2/P) Trap 1½" plastic resealing bottle with 75mm seal, multi-purpose outlet

OPTIONS

- A5900** TMV thermostatic mixing valve, 15mm

ILLUSTRATED PRODUCT DETAILS





Weights

- S1298** 5.50 KG
- S8265** 2.29 KG
- S8768** 0.39 KG
- S8925** 0.33 KG

Materials

- S1298** Stainless Steel
- S8265** Chrome Plated Brass
- S8768** Chrome Plated Metal
- S8925** Plastic

Finishes

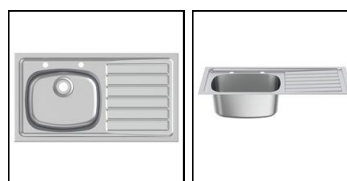
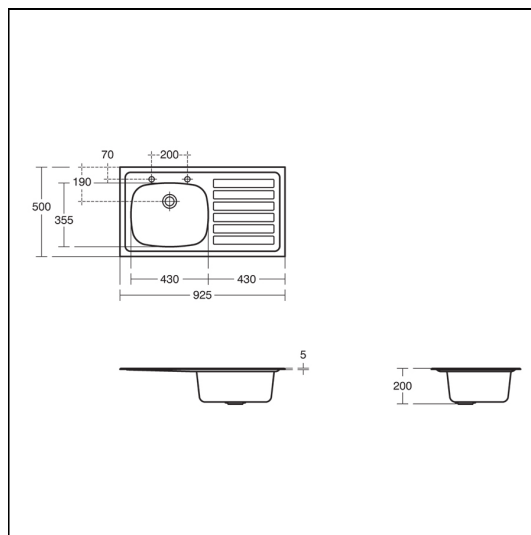
- S1298**  Stainless Steel finish (MY)
- S8265**  Chrome (AA)
- S8768**  Chrome (AA)
- S8925**  Neutral / No Finish (67)

Standards

NHS specification HBN 00-10. EN 13310.

Special Notes

Because this is a more general staff or public area sink, consideration should be given to safe hot water delivery and the use of an appropriate temperature reduction device.



FEATURES

