

# Denholm (New) Stainless Steel 51cm Washbasin

## ILLUSTRATED

- S1307** Denholm (New) stainless steel 51cm washbasin with left hand taphole, no overflow or chainstay hole
- B8861** Avon 21 1 hole washbasin mixer, self closing push button, variable temperature with copper tube inlets. Flow regulated to 4.7 litres per minute maximum.
- S8734** Waste 1¼" brass swivel plug waste, 80mm unslotted tail
- S8920** Trap 1¼" plastic resealing bottle, 75mm seal, multi-purpose outlet

## OPTIONS

- A5900** TMV thermostatic mixing valve, 15mm

## ILLUSTRATED PRODUCT DETAILS

### Sizes

**S1307** w:51 x d:42

### Weights

**S1307** 3.50 KG

**B8861** 2.45 KG

**S8734** 0.35 KG

**S8920** 2.00 KG

### Materials


**S1307** Stainless Steel

**B8861** Chrome Plated Brass

**S8734** Chrome Plated Metal

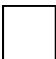
**S8920** Plastic

### Finishes

**S1307**  Stainless Steel finish (MY)

**B8861**  Chrome (AA)

**S8734**  Chrome (AA)

**S8920**  Neutral / No Finish (67)

### Flow rates

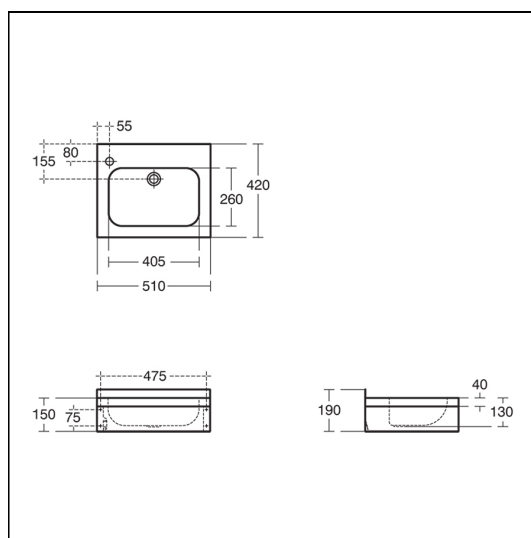
**B8861** 4.7 Litres per minute @ 3 bar pressure

### Standards

Steel sheet conforms to BS EN 10088:Part2:2005 Material 1.4301 (304) - 0.9mm. NHS specification HBN 00-10. EN 14688.

### Special Notes

Consideration should be given to safe hot water delivery and the use of an appropriate temperature reduction device see A5900AA or Part G for guidance. Stainless steel screw to wall brackets, bolts and earthing tag included.



## FEATURES

