

Nisa Lowline Steel Bath 170cm No Taphole No Handgrips

ILLUSTRATED

- S1699** Nisa Lowline 170cm x 70cm steel bath, anti-slip, no tap holes
- S8970** Trap 1½" plastic P with 75mm seal, multi-purpose outlet suitable for plastic and BS copper pipe
- S8830** Waste 1½" bath chain and overflow, plastic plug
- A5901** TMV thermostatic mixing valve, 22mm

ILLUSTRATED PRODUCT DETAILS





Weights

- S1699** 48.35 KG
- S8970** 1.00 KG
- S8830** 1.78 KG
- A5901** 0.60 KG

Materials

- S1699** Porcelain Enamelled Steel
- S8970** Plastic
- S8830** Mixed Material
- A5901** Chrome Plated Metal

Finishes

- S1699**  White (01)
- S8970**  Neutral / No Finish (67)
- S8830**  Chrome (AA)
- A5901**  Chrome (AA)

Capacity

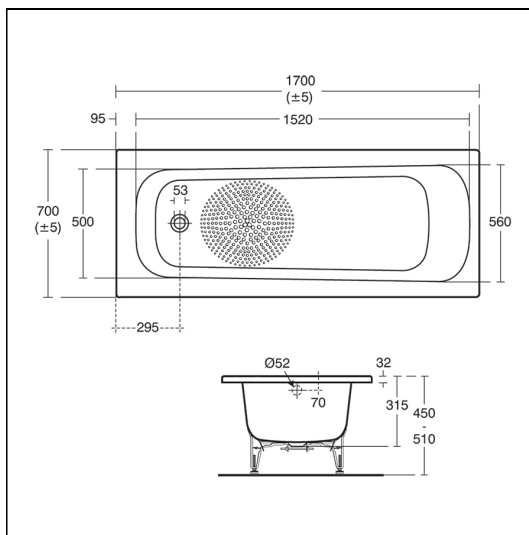
- S1699** 147.0 litres (to overflow)

Standards

BS 1390:1990. EN 14516

Special Notes

*Anti-slip is a resistant finish that reduces the chances of slipping, it does not prevent all slipping. Not suitable in areas involving the use of special chemicals. Framework is required at installation to support rim and secure panel. Panels require trimming to size at installation. Consideration should be given to safe hot water delivery and the use of an appropriate temperature reduction device, see A5901AA or Part G for guidance. Supported on a steel cradle with adjustable feet.



ACCREDITATIONS

S1699(01)

