

Contour 21 Washbasin 50cm No Taphole No Chainstay Hole or Overflow - Lever

ILLUSTRATED

- S2154** (LB H M) Contour 21 back outlet washbasin, 50cm, no tapholes, no overflow, no chainstay hole
- A6682** (TB H2A) Markwik 21+ panel mounted thermostatic basin mixer, single sequential lever, demountable with detachable spout
- SR021** Contour basin outlet adapter
- S8920** (TRR1/P) Trap 1¼" plastic resealing bottle, 75mm seal, multi-purpose outlet
- S9112** Concealed hangers pressed Steel, toggle bolts and clips for Contour washbasins

OPTIONS

- S8746** Plastic strainer for back outlet washbasins
- A6256** Filter Adaptor for Markwik 21 demountable mixer spout
- F960847** Nozzle Anti-Pseudomonas outlet for Markwik 21

ILLUSTRATED PRODUCT DETAILS

Sizes

S2154 w:500 x d:400

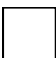




Weights

- S2154** 12.84 KG
- A6682** 3.60 KG
- S8920** 2.00 KG
- S9112** 0.47 KG

Materials

- S2154** Vitreous China
- A6682** Chrome Plated Brass
- SR021** Plastic
- S8920** Plastic
- S9112** Metal

Finishes

- S2154**  White (01)
- A6682**  Chrome (AA)
- SR021**  Neutral / No Finish (67)
- S8920**  Neutral / No Finish (67)
- S9112**  Neutral / No Finish (67)

Designer

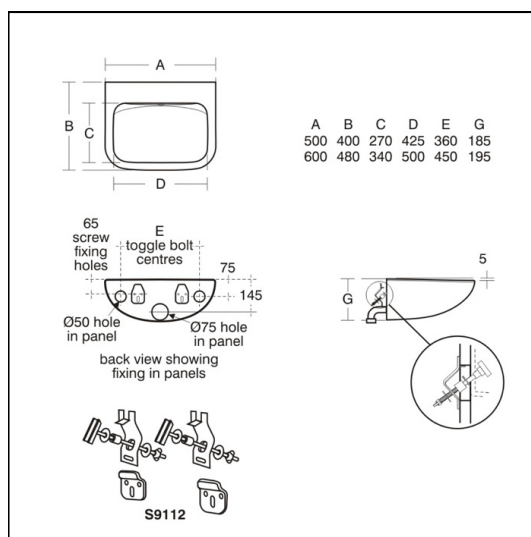
Robin Levien, RDI

Standards

BS EN 31

Special Notes

Toggle bolts and outlet adapter suitable for maximum panel thickness of 18mm. For use in connection with washing associated with clinical procedures. Suggested rim height 780-800mm. Washbasin wall mounted using S9112 hangers or panel mounted using S9112 hangers, toggle bolts & clips.



FEATURES

