

Contour 21 Washbasin 60cm No Taphole No Chainstay Hole or Overflow - General Use

ILLUSTRATED

- S2155** (LB H L) Contour 21 back outlet washbasin, 60cm, no tapholes, no overflow, no chainstay hole
- SR021** Contour basin outlet adapter
- S8920** (TRR1/P) Trap 1¼" plastic resealing bottle, 75mm seal, multi-purpose outlet
- S9112** Concealed hangers pressed Steel, toggle bolts and clips for Contour washbasins

OPTIONS

- S8746** Plastic strainer for back outlet washbasins
- A4180** Sensorflow 21 tubular panel mounted 150mm projection spout with anti-splash 3.7 litres per minute aerated outlet, remote panel sensor, copper tube inlets, mains
- S7422** Contour 21 wall mounted single control concealed washbasin mixer with ceramic disc operation, 150mm projection spout with alternative aerator or flow straightener outlet, rigid copper inlet tails integral combined filter and regulating valves
- A4847** Sensorflow 21 compact tubular panel mounted 150mm projection spout, anti splash or anti vandal laminar flow outlet, integral sensor, copper tube inlets, link
- A4845** Sensorflow 21 compact tubular panel mounted 150mm projection spout, anti splash or anti vandal laminar flow outlet, integral sensor, copper tube inlets, battery
- A5900** TMV thermostatic mixing valve, 15mm

ILLUSTRATED PRODUCT DETAILS

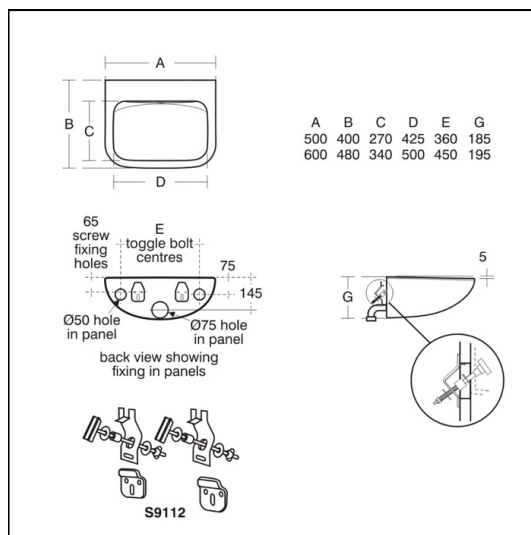
Sizes	Finishes
S2155 w:600 x d:480	S2155 <input type="checkbox"/> White (01)
Weights	SR021 <input type="checkbox"/> Neutral / No Finish (67)
S2155 19.50 KG	S8920 <input type="checkbox"/> Neutral / No Finish (67)
S8920 2.00 KG	S9112 <input type="checkbox"/> Neutral / No Finish (67)
S9112 0.47 KG	
Materials	Designer
S2155 Vitreous China	Robin Levien, RDI
SR021 Plastic	
S8920 Plastic	
S9112 Metal	

Standards

BS EN 31

Special Notes

Suggested rim heights; 780-800 for ambulant users 680-700 for wheelchair users. Washbasin wall mounted using S9112 hangers or panel mounted using S9112 hangers, toggle bolts & clips. Toggle bolts and outlet adaptor suitable for maximum panel thickness of 18mm.



ACCREDITATIONS

Unified Water Label	3.70 Litres Per Minute
Unified Water Label	3.70 Litres Per Minute
Unified Water Label	4.70 Litres Per Minute

Contour 21 Washbasin 60cm No Taphole No Chainstay Hole or Overflow - General Use

FEATURES

