

Contour 21 Washbasin 60cm No Taphole No Chainstay Hole or Overflow - Sensor

ILLUSTRATED

- S2155** Contour 21 back outlet washbasin, 60cm, no tapholes, no overflow, no chainstay hole
- SR021** Contour basin outlet adapter
- S8920** Trap 1¼" plastic resealing bottle, 75mm seal, multi-purpose outlet
- S9112** Concealed hangers pressed Steel, toggle bolts and clips for Contour washbasins

OPTIONS

- S8746** Plastic strainer for back outlet washbasins
- A6256** Filter Adaptor for Markwik 21 demountable mixer spout
- F960847** Nozzle Anti-Pseudomonas outlet for Markwik 21
- A6737** Markwik 21+ panel mounted thermostatic basin mixer, time flow sensor, demountable with fixed spout
- A6684** Markwik 21+ panel mounted thermostatic basin mixer, time flow sensor, demountable with detachable spout
- S8910** Trap 1¼" plastic bottle, 75mm seal, multi-purpose outlet

ILLUSTRATED PRODUCT DETAILS

Sizes

S2155 w:600 x d:480

Weights

S2155 19.50 KG

S8920 2.00 KG

S9112 0.47 KG

Materials

S2155 Vitreous China

SR021 Plastic

S8920 Plastic

S9112 Metal

Finishes

S2155 White (01)

SR021 Neutral / No Finish (67)

S8920 Neutral / No Finish (67)

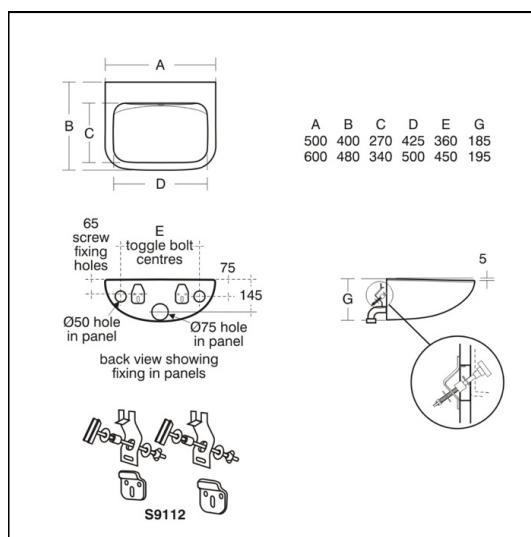
S9112 Neutral / No Finish (67)

Designer

Robin Levien, RDI

Special Notes

Toggle bolts and outlet adapter suitable for maximum panel thickness of 18mm. For use in connection with washing associated with clinical procedures. Suggested rim height 780-800mm. Washbasin wall mounted using S9112 hangers or panel mounted using S9112 hangers, toggle bolts & clips.



FEATURES

