

# Contour 21 Washbasin 60cm No Taphole No Chainstay Hole or Overflow - Lever

## ILLUSTRATED

- S2155** (LB H L) Contour 21 back outlet washbasin, 60cm, no tapholes, no overflow, no chainstay hole
- A6682** (TB H2A) Markwik 21+ panel mounted thermostatic basin mixer, single sequential lever, demountable with detachable spout
- SR021** Contour basin outlet adapter
- S8920** (TRR1/P) Trap 1¼" plastic resealing bottle, 75mm seal, multi-purpose outlet
- S9112** Concealed hangers pressed Steel, toggle bolts and clips for Contour washbasins

## OPTIONS

- S8746** Plastic strainer for back outlet washbasins
- F960847** Nozzle Anti-Pseudomonas outlet for Markwik 21
- S8910** Trap 1¼" plastic bottle, 75mm seal, multi-purpose outlet

## ILLUSTRATED PRODUCT DETAILS

### Sizes

**S2155** w:600 x d:480

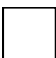




### Weights

- S2155** 19.50 KG
- A6682** 3.60 KG
- S8920** 2.00 KG
- S9112** 0.47 KG

### Materials

- S2155** Vitreous China
- A6682** Chrome Plated Brass
- SR021** Plastic
- S8920** Plastic
- S9112** Metal

### Finishes

- S2155**  White (01)
- A6682**  Chrome (AA)
- SR021**  Neutral / No Finish (67)
- S8920**  Neutral / No Finish (67)
- S9112**  Neutral / No Finish (67)

### Designer

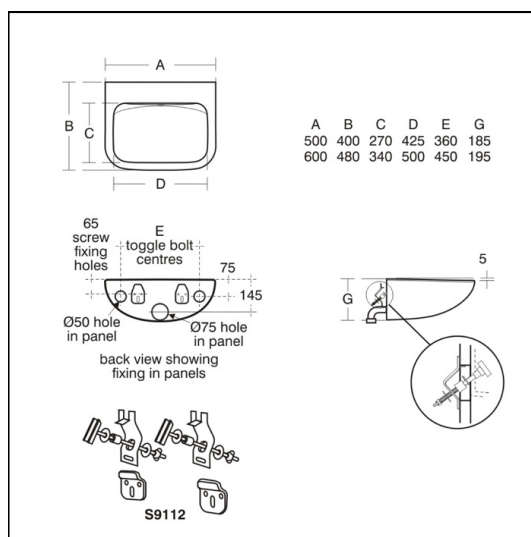
Robin Levien, RDI

### Standards

BS EN 31

### Special Notes

Toggle bolts and outlet adapter suitable for maximum panel thickness of 18mm. For use in connection with washing associated with clinical procedures. Suggested rim height 780-800mm. Washbasin wall mounted using S9112 hangers or panel mounted using S9112 hangers, toggle bolts & clips.



## FEATURES

