

# Portman 21 Washbasin 40cm 2 Taphole At 100mm, No Overflow or Chainstay Hole

## ILLUSTRATED

- S2158** Portman 21 washbasin 40cm, 2 tapholes at 100mm centres, no overflow or chainstay hole
- E0157** Wall fixing set
- B8267** Avon 21 inclined non-concussive washbasin pillar taps (pair) with dual hot and cold indices per tap, self closing push button, water saving anti-vandal spout regulated to 3.7 litres per minute maximum
- S8720** (WT1) Waste 1¼" brass strainer waste, 80mm unslotted tail
- S8920** (TRR1/P) Trap 1¼" plastic resealing bottle, 75mm seal, multi-purpose outlet

## OPTIONS

- E0062** Basin fixing set for IPS panels or block walls
- B9881** Sandringham 21 washbasin pillar taps, lever handles
- S8715** (WT3) Waste 1¼" waste with bead chain & plug 80mm unslotted tail, screw stay
- S8734** Waste 1¼" brass swivel plug waste, 80mm unslotted tail
- A5900** TMV thermostatic mixing valve, 15mm
- S9138** Bracket concealed with clamps and centre waste support for Portman 21, 40cm washbasins

## ILLUSTRATED PRODUCT DETAILS

### Sizes

**S2158** w:400 x d:370

### Weights

**S2158** 9.70 KG  
**E0157** 0.16 KG  
**B8267** 2.25 KG  
**S8720** 0.23 KG  
**S8920** 2.00 KG

### Materials

**S2158** Vitreous China  
**E0157** Metal  
**B8267** Chrome Plated Brass  
**S8720** Chrome Plated  
**S8920** Plastic

### Finishes

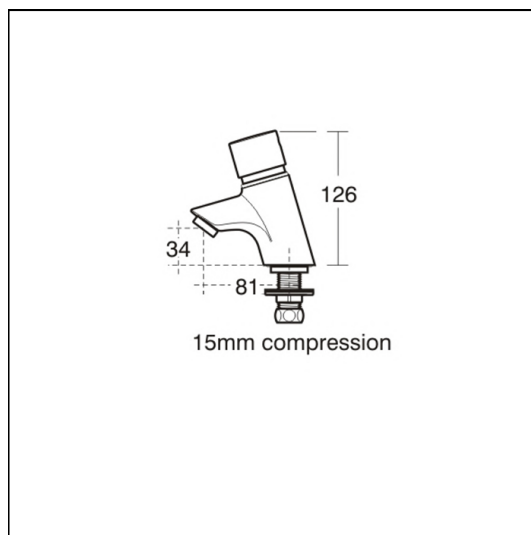
- S2158**  White (01)
- E0157**  Neutral / No Finish (67)
- B8267**  Chrome (AA)
- S8720**  Chrome (AA)
- S8920**  Neutral / No Finish (67)

### Flow rates

**B8267** 3.7 Litres per minute @ 3 bar pressure

### Special Notes

S9138 Bracket for 40cm basins  
 Recommended fixing heights (floor to front rim);  
 Nursery use 600mm  
 Infant use 700mm  
 Junior use 750mm  
 Senior/adult use 780-800mm.  
 Washbasin wall mounted using E015767 wall fixing set or panel mounted using E006267 fixing set



## FEATURES

