

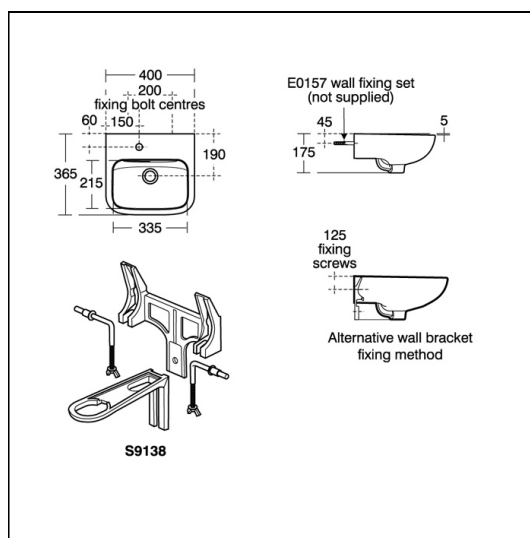
Portman 21 Washbasin 40cm LH Taphole, No Overflow Or Chainstay Hole

ILLUSTRATED

- S2159** (LB G S) Portman 21 washbasin 40cm, 1 left hand taphole no overflow, no chainstay hole
- E0157** Wall fixing set
- A6697** Contour 21+ 1 hole thermostatic basin mixer, single sequential lever with copper tails
- S8720** (WT1) Waste 1¼" brass strainer waste, 80mm unslotted tail
- S8920** (TRR1/P) Trap 1¼" plastic resealing bottle, 75mm seal, multi-purpose outlet

OPTIONS

- E0062** Basin fixing set for IPS panels or block walls
- B8263** Avon 21 1 hole washbasin mixer , self closing push button, variable temperature control with 15mm female connector flexible hoses on inlets. Flow regulated to 3.7 litres per minute maximum to comply with Water Technology List requirements.
- B8861** (TPP1) Avon 21 1 hole washbasin mixer, self closing push button, variable temperature with copper tube inlets. Flow regulated to 4.7 litres per minute maximum.
- A6698** Contour 21+ 1 hole thermostatic basin mixer, single sequential lever with flexible tails
- A6790** Contour 21+ Outline 1 hole thermostatic basin mixer, single sequential lever with flexible tails
- S8715** (WT3) Waste 1¼" waste with bead chain & plug 80mm unslotted tail, screw stay
- S8734** Waste 1¼" brass swivel plug waste, 80mm unslotted tail
- S9138** Bracket concealed with clamps and centre waste support for Portman 21, 40cm washbasins



ILLUSTRATED PRODUCT DETAILS

Sizes

S2159 w:40 x d:37

Weights

- S2159** 9.70 KG
- E0157** 0.16 KG
- A6697** 2.10 KG
- S8720** 0.23 KG
- S8920** 2.00 KG

Materials

- S2159** Vitreous China
- E0157** Metal
- A6697** Chrome Plated Brass
- S8720** Chrome Plated
- S8920** Plastic

Finishes

- S2159** White (01)
- E0157** Neutral / No Finish (67)
- A6697** Chrome (AA)
- S8720** Chrome (AA)
- S8920** Neutral / No Finish (67)

Flow rates

- A6697** 3.9 Litres per minute @ 3 bar pressure

Special Notes

S9138 Bracket for 40cm basins
 Recommended fixing heights (floor to front rim);
 Nursery use 600mm
 Infant use 700mm

FEATURES



Portman 21 Washbasin 40cm LH Taphole, No Overflow Or Chainstay Hole

Junior use 750mm

Senior/adult use 780-800mm.

Washbasin wall mounted using E015767 wall fixing set or panel mounted using E006267 fixing set