

Portman 21 Washbasin 50cm LH Taphole, No Overflow Or Chainstay Hole

ILLUSTRATED

- S2308** (LB G M) Portman 21 washbasin 50cm, 1 left hand taphole no overflow, no chainstay hole
- A6697** Contour 21+ 1 hole thermostatic basin mixer, single sequential lever with copper tails
- S8722** Waste 1¼" brass strainer waste, 80mm slotted tail
- S8920** (TRR1/P) Trap 1¼" plastic resealing bottle, 75mm seal, multi-purpose outlet

OPTIONS

- E0157** Wall fixing set
- E0062** Basin fixing set for IPS panels or block walls
- S8734** Waste 1¼" brass swivel plug waste, 80mm unslotted tail
- S8900** Trap 1¼" metal bottle, 75mm seal, outlet screwed 1¼" BSP male with compression nut and ring
- S9137** Bracket concealed with clamps and centre waste support for Portman 21 washbasins 60 and 50cm

ILLUSTRATED PRODUCT DETAILS

Sizes

S2308 w:50 x d:42

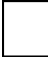



Weights

- S2308** 12.73 KG
- A6697** 2.10 KG
- S8722** 0.22 KG
- S8920** 2.00 KG

Materials

- S2308** Vitreous China
- A6697** Chrome Plated Brass
- S8722** Chrome Plated Metal
- S8920** Plastic

Finishes

- S2308**  White (01)
- A6697**  Chrome (AA)
- S8722**  Chrome (AA)
- S8920**  Neutral / No Finish (67)

Flow rates

A6697 3.9 Litres per minute @ 3 bar pressure

Special Notes

The taphole size is 30mm and not suitable for some mixers, please check tap tail thread diameter.

S9137 Bracket for 60cm & 50cm basins S9138 Bracket for 40cm basins

Recommended fixing heights (floor to front rim);

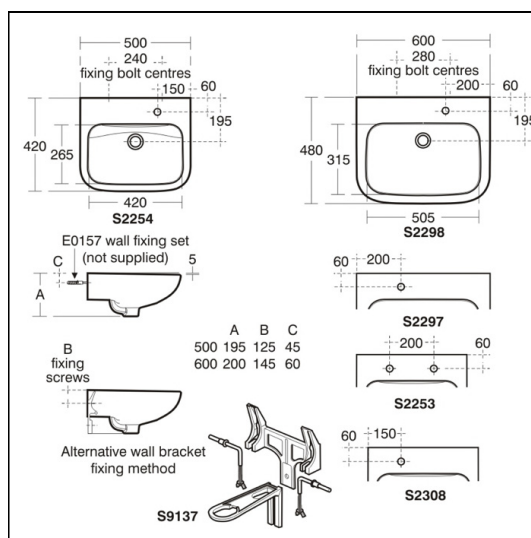
Nursery use 600mm

Infant use 700mm

Junior use 750mm

Senior/adult use 780-800mm.

Washbasin wall mounted using E015767 wall fixing set or panel mounted using E006267 fixing set



FEATURES

