

# Portman 21 Washbasin 50cm 2 Taphole With Overflow No Chainstay Hole

## ILLUSTRATED

- S2310** Portman 21 washbasin 50cm, 2 tapholes with overflow
- B8267** Avon 21 inclined non-concussive washbasin pillar taps (pair) with dual hot and cold indices per tap, self closing push button, water saving anti-vandal spout regulated to 3.7 litres per minute maximum
- S8722** Waste 1¼" brass strainer waste, 80mm slotted tail
- S8920** Trap 1¼" plastic resealing bottle, 75mm seal, multi-purpose outlet

## OPTIONS

- E0157** Wall fixing set
- E0062** Basin fixing set for IPS panels or block walls
- B9881** Sandringham 21 washbasin pillar taps, lever handles
- S8737** Waste 1¼" brass anti theft waste with captive plug, no chain, 80mm slotted tail
- S8733** Waste 1¼" brass anti theft swivel plug waste, 80mm slotted tail
- A5900** TMV thermostatic mixing valve, 15mm
- S9137** Bracket concealed with clamps and centre waste support for Portman 21 washbasins 60 and 50cm

## ILLUSTRATED PRODUCT DETAILS

### Sizes

**S2310** w:50 x d:42





### Weights

**S2310** 12.73 KG  
**B8267** 2.25 KG  
**S8722** 0.22 KG  
**S8920** 2.00 KG

### Materials

**S2310** Vitreous China  
**B8267** Chrome Plated Brass  
**S8722** Chrome Plated Metal  
**S8920** Plastic

### Finishes

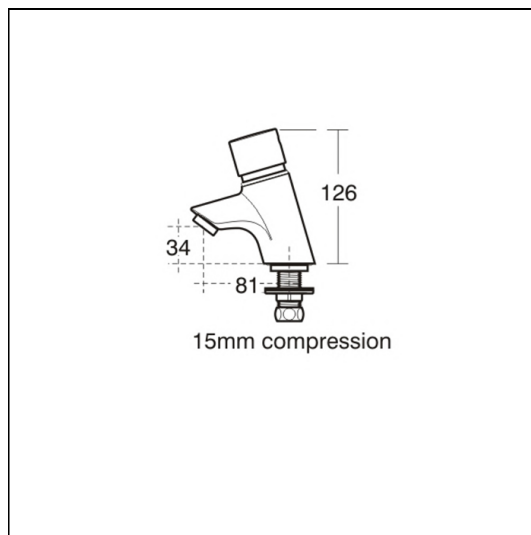
- S2310**  White (01)
- B8267**  Chrome (AA)
- S8722**  Chrome (AA)
- S8920**  Neutral / No Finish (67)

### Flow rates

**B8267** 3.7 Litres per minute @ 3 bar pressure

### Special Notes

S9137 Bracket for 50cm basins  
 Recommended fixing heights (floor to front rim);  
 Nursery use 600mm  
 Infant use 700mm  
 Junior use 750mm  
 Senior/adult use 780-800mm.  
 Washbasin wall mounted using E015767 wall fixing set or panel mounted using E006267 fixing set



## FEATURES

