

Contour 21 Splash 40cm Schools basin with overflow - one taphole

ILLUSTRATED

- S2635** Contour 21 Splash 40cm one taphole schools basin with overflow
- E0157** Wall fixing set
- B8263** Avon 21 1 hole washbasin mixer , self closing push button, variable temperature control with 15mm female connector flexible hoses on inlets. Flow regulated to 3.7 litres per minute maximum to comply with Water Technology List requirements.
- S8722** Waste 1¼" brass strainer waste, 80mm slotted tail
- S8920** Trap 1¼" plastic resealing bottle, 75mm seal, multi-purpose outlet

OPTIONS

- S8733** Waste 1¼" brass anti theft swivel plug waste, 80mm slotted tail
- S8900** Trap 1¼" metal bottle, 75mm seal, outlet screwed 1¼" BSP male with compression nut and ring

ILLUSTRATED PRODUCT DETAILS

Sizes

S2635 w:400 x d:330

Weights

S2635 7.70 KG

E0157 0.16 KG

B8263 2.30 KG

S8722 0.22 KG

S8920 2.00 KG

Materials

S2635 Vitreous China

E0157 Metal

B8263 Chrome Plated Brass

S8722 Chrome Plated Metal

S8920 Plastic

Finishes

S2635 White (01)

E0157 Neutral/No Finish (67)

B8263 Chrome (AA)

S8722 Chrome (AA)

S8920 Neutral/No Finish (67)

Capacity

S2635 1.8 litres

Flow rates

B8263 3.7 Litres per minute @ 3 bar pressure

Special Notes

Recommended fixing heights (floor to front rim);

Nursery use 500mm

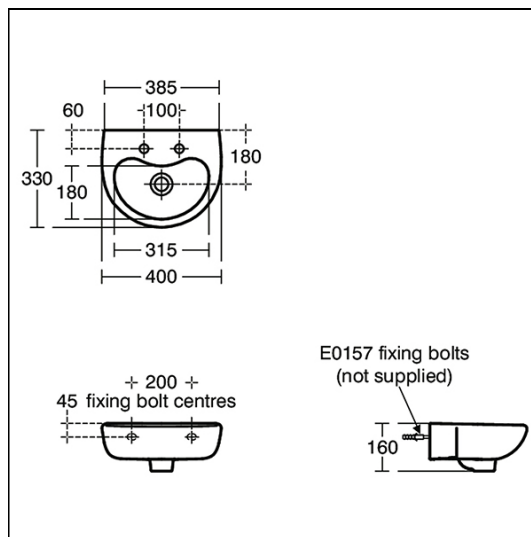
Infant use 700mm

Junior use 750mm

Senior/adult use 780-800mm.

Washbasin wall mounted using E015767 wall fixing set or panel mounted

using E006267 fixing set



FEATURES

