

# Conceala 3 Concealed Dual Flush Bottom/Top Inlet Cistern, Pneumatic

## ILLUSTRATED

**S3327** Conceala 3 dual flush 6/4 litre cistern, top/bottom inlet, pneumatic actuation, easy adjustable to low water volumes, internal overflow, flushpipe included, no button/flushplate

**S1082** Contemporary dual flushplate for Conceala cisterns

## OPTIONS

**S1084** Crescent finger push button, pneumatic dual flush

## ILLUSTRATED PRODUCT DETAILS

### Weights

**S3327** 2.30 KG

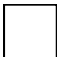
**S1082** 0.35 KG

### Materials

**S3327** Plastic

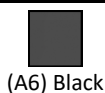
**S1082** Chrome Plated Plastic

### Finishes

**S3327**  Neutral / No Finish (67)

**S1082**  Chrome (AA)

## FINISH OPTIONS



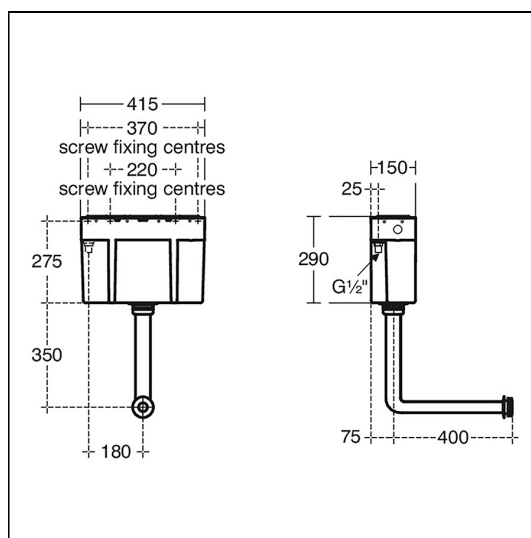
### Standards

Cistern to BS EN 14055

### Special Notes

Cistern is supplied with 800mm length of plastic air tube. An optional 3m length (SV316) can be purchased where remote operation is required. Cistern is supplied with 2 x 800mm length of plastic air tube. An optional 3m length (SV316) can be purchased where remote operation is required. Please refer to the installation instructions before fitting. Actuator purchased separately. Easy adjustment on outlet valve to lower water volumes.

Please refer to the installation instructions before fitting. Actuator purchased separately.



## ACCREDITATIONS

## FEATURES

