

Conceala 3 Sensorflow 21 Single Flush, Side Inlet Cistern, Panel Mounted Sensor

ILLUSTRATED

S3333 Conceala 3 Sensorflow 21 single flush 6 litre cistern, side inlet, panel mounted touch free sensor actuation, internal overflow, flushpipe included

ILLUSTRATED PRODUCT DETAILS


Weights

S3333 3.15 KG

Materials

S3333 Plastic

Finishes

S3333  Neutral / No Finish (67)

Capacity

S3333 6.0 litres

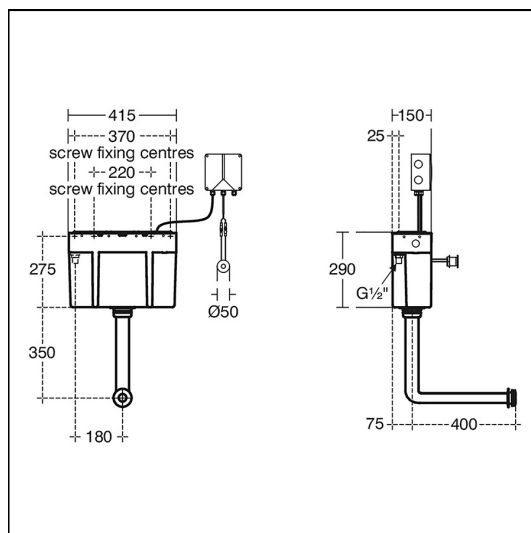
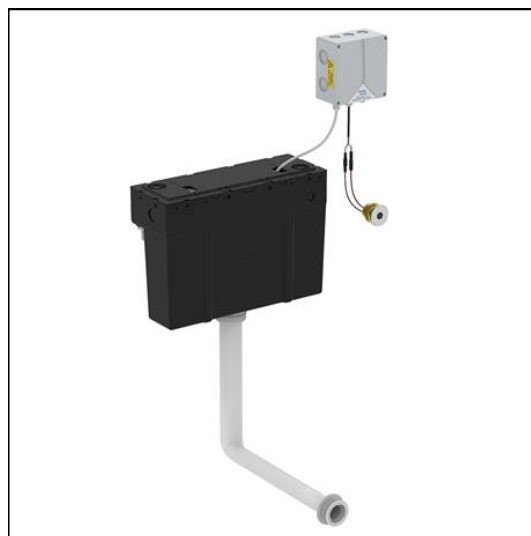
Standards

Cistern to BS EN 14055

Special Notes

Mains powered Sensorflow products must be connected to a continuous permanent power supply of these require 220-240 volts and each 1 having its own fuse spur

Please refer to the installation instructions before fitting.



ACCREDITATIONS

S3333(67)



FEATURES

