

Conceala 3 Sensorflow 21 Single Flush, Bottom/Top Inlet Cistern, Panel Mounted Sensor

ILLUSTRATED

S3334 Conceala 3 Sensorflow 21 single flush 6 litre cistern, bottom/top inlet, panel mounted touch free sensor actuation, internal overflow, flushpipe included

ILLUSTRATED PRODUCT DETAILS

Weights

S3334 3.15 KG

Materials

S3334 Plastic

Finishes

S3334 Neutral / No Finish (67)

Capacity

S3334 6.0 litres

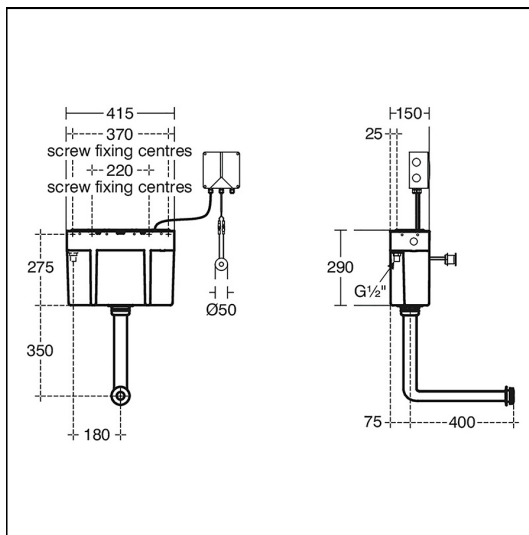
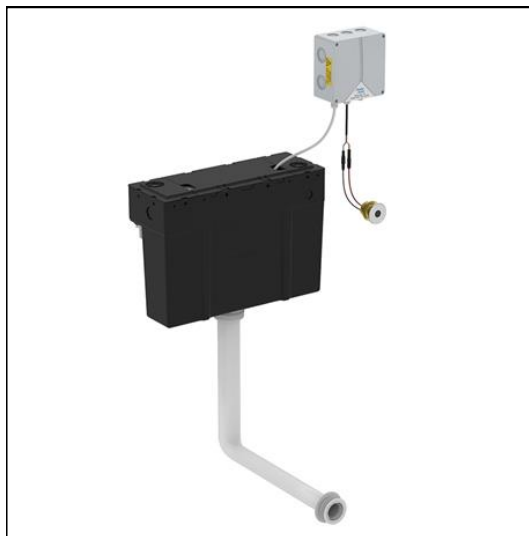
Standards

Cistern to BS EN 14055

Special Notes

Mains powered Sensorflow products must be connected to a continuous permanent power supply of these require 220-240 volts and each 1 having its own fuse spur

Please refer to the installation instructions before fitting.



ACCREDITATIONS

S3334(67)



FEATURES

