

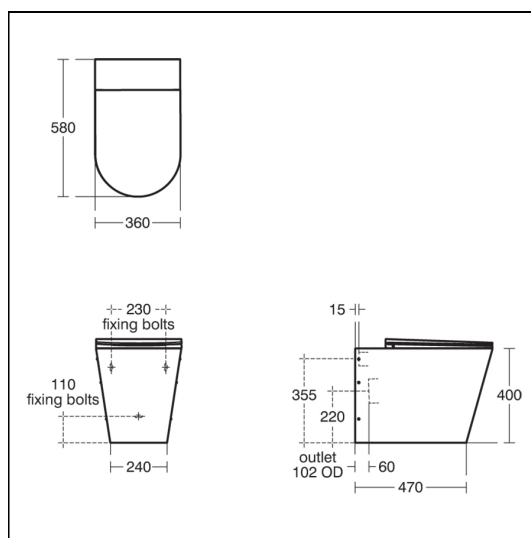
# Perth 2 Back To Wall WC Bowl With Seat

## ILLUSTRATED

- S3340** Perth 2 back to wall WC bowl with seat holes - horizontal outlet
- S3622** Conceala 2 6 litre cistern. single flush valve, side supply, internal overflow, alternative height plastic flushbends, no push button
- S4512** Finger push button pneumatic, stainless steel for 31mm maximum thickness partition

## OPTIONS

- S3623** Conceala 2 6 litre cistern, single flush valve, bottom supply, internal overflow, alternative height plastic flushbends
- E2125** Conceala 2 concealed cistern universal height, side inlet cistern - pneumatic dual flush valve - no flushplate - 6/4 litre flush
- E2124** Conceala 2 concealed cistern universal height bottom inlet cistern - pneumatic dual flush valve - no flushplate - 6/4 litre flush
- S4513** Palm push button pneumatic, stainless steel for 31mm maximum thickness partition
- S4464** Finger push button pneumatic, plastic for 31mm maximum thickness partition
- S4463** Palm push button, pneumatic, plastic for 31mm maximum thickness partition
- S4305** Panekta outlet connector to convert horizontal outlet wcs to P trap



## ILLUSTRATED PRODUCT DETAILS



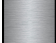
### Weights

- S3340** 15.00 KG
- S3622** 3.00 KG
- S4512** 0.71 KG

### Materials

- S3340** Stainless Steel
- S3622** Plastic
- S4512** Stainless Steel

### Finishes

- S3340**  Stainless Steel finish (MY)
- S3622**  Neutral / No Finish (67)
- S4512**  Stainless Steel finish (MY)

### Capacity

- S3622** 6.0 litres

### Standards

Manufactured from 1.2 1.5mm Stainless Steel 1.4301 (304) to BSEN 10088:Part2:2014. Back Plate is 3.0mm

### Special Notes

WC bowl secured with fixing bolts supplied. For valve cisterns only, not syphon/lever operated. Supplied with earthing tag.