

Conceala 2 Cistern 4/2.6 Litre Delay Fill Valve Bottom Supply, No Button

ILLUSTRATED

S3636 Conceala 2 delay fill 4.5/3 or 4/2.6 litre cistern, dual flush valve, bottom supply, internal overflow, alternative height plastic flushbends, no flushplate

OPTIONS

- SV316** 3 metre tube
- S4399** Contemporary flush plate dual flush for Conceala 2 cisterns

ILLUSTRATED PRODUCT DETAILS

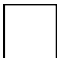
Weights

S3636 3.00 KG

Materials

S3636 Plastic

Finishes

S3636  Neutral / No Finish (67)

Capacity

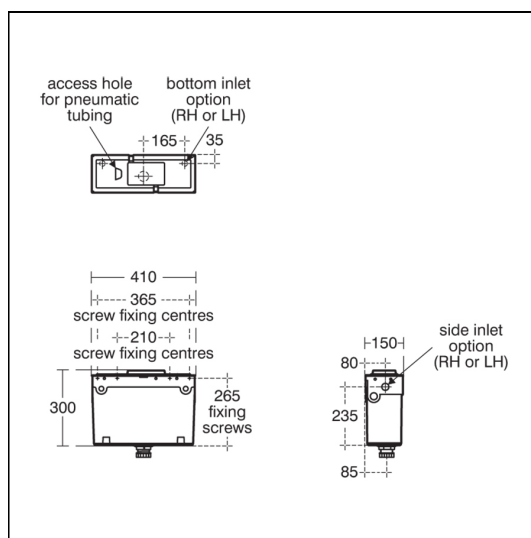
S3636 4.5 litres

Standards

Cistern to BS EN 14055

Special Notes

Cistern is supplied with 2 x 800mm lengths of plastic air tubes. Optional 3m lengths can be purchased where remote operation is required. See buttons and flushplates from 6:2:91 to 6:2:94 for actuation options.



ACCREDITATIONS

S3636(67)

		3.4	Average Flushing Volume (Litres)

FEATURES

