

Studio Echo 45cm Corner Handrinse Basin

ILLUSTRATED

- T2906** Studio Echo 45cm corner handrinse basin, 1 taphole with overflow
- E1584** Studio Echo handrinse pedestal
- B1811** Ceraflex basin mixer with pop-up waste
- S8950** Trap 1¼" plastic P for use with cloakroom pedestal
- E5010** Pair Steel Wall Hangers

OPTIONS

- E0157** Wall fixing set
- B1812** Ceraflex basin mixer, no waste

ILLUSTRATED PRODUCT DETAILS

Sizes

T2906 d:410

Weights

T2906 7.86 KG

E1584 7.72 KG

B1811 1.53 KG

S8950 1.00 KG

E5010 0.10 KG

Materials

T2906 Fine Fireclay

E1584 Fine Fireclay


B1811 Chrome Plated Brass

S8950 Plastic


E5010 Metal


Finishes

T2906  White (01)

E1584  White (01)

B1811  Chrome (AA)

S8950  Neutral / No Finish (67)

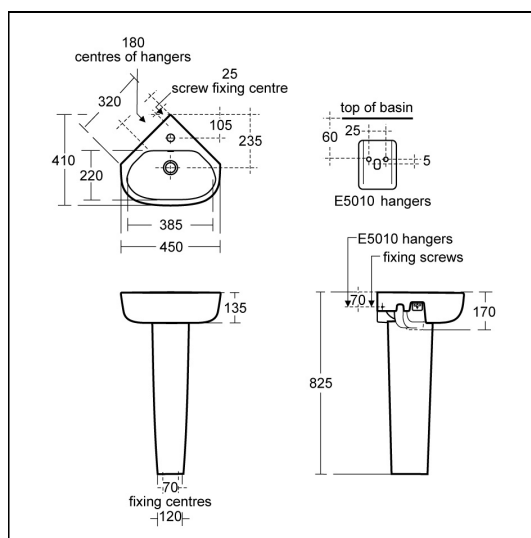
E5010  Neutral / No Finish (67)

Flow rates

B1811 5 Litres per minute @ 3 bar pressure

Designer

Robin Levien, RDI



Standards

Washbasin to BS EN 14688 and BS EN 32

Special Notes

Washbasin wall mounted using E0157 wall fixing set, or full pedestal mounted using 2 screws through the back of the basin (not supplied).