

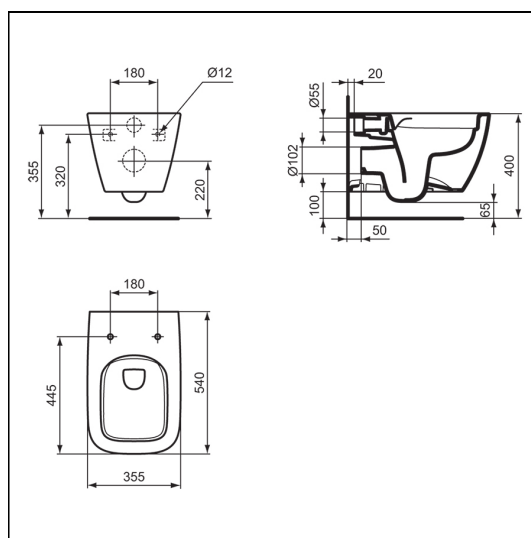
Ideal Standard i.life B Wall Mounted WC bowl

ILLUSTRATED

- T4614** Ideal Standard i.life B wall mounted wc bowl with horizontal outlet and rimls+ technology
- T4683** i.life B toilet seat and cover, slow close
- R0121** Oleas M2 mechanical dual flushplate Ideal Standard - white
- R0153** ProSys 1150mm height, mechanical wall hung WC frame, 120 depth, front actuation

OPTIONS

- T5003** Ideal Standard i.life B toilet seat and cover, slim, slow close
- T5556** i.life B toilet seat no cover
- R0100** ProSys half frame for wall hung WC pans (no cistern)
- R0313** ProSys 1150mm height, pneumatic wall hung WC frame, 120 depth, front actuation
- R0140** ProSys 820mm height, mechanical wall hung WC frame, 150 depth, front or top actuation
- R0312** ProSys 820mm height, pneumatic wall hung wc frame 150 depth, front or top actuation
- R0314** ProSys 1150mm height, freestanding mechanical wall hung WC frame, front actuation
- S4305** Panekta outlet connector to convert horizontal outlet wcs to P trap



ILLUSTRATED PRODUCT DETAILS





Weights

- R0121** 0.34 KG
- R0153** 12.20 KG

Materials

- R0121** Mixed Material
- R0153** Mixed Material

Finishes

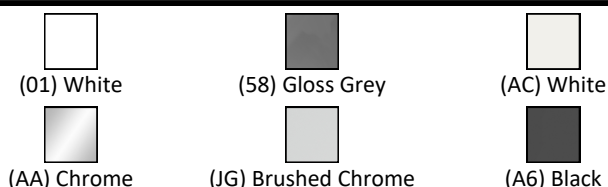
- T4614**  White (01)
- T4683**  White (01)
- R0121**  White (AC)
- R0153**  Neutral / No Finish (67)

Designer

Palomba Serafini Associati



FINISH OPTIONS



Standards

WC bowl to BS EN 997 & BS EN 33

Special Notes

Fix the E0060 support brackets to the floor within the duct and secure the

E: info@idealspec.co.uk | T: 0870 122 8822 | F: 0870 122 8282 | www.idealspec.co.uk

Ideal Standard (UK) Ltd. makes every effort to ensure that the information provided on its website is accurate. However, we cannot guarantee this, and accept no liability for any information or advice given via its website.

Ideal Standard i.life B Wall Mounted WC bowl

WC with bolts (supplied) and hidden fixing set provided. Screw the bolts to the back wall. Can be used with i.life furniture WC unit. Oleas, Solea, Altes & Symfo are compatible with Prosys cisterns only. Please see flushplate section for full finish/colour options.