

# Conca 80cm x 38cm Wall Mounted Vanity Unit

## ILLUSTRATED

- T5685** Conca 80cm x 38cm wall mounted vanity unit with 1 drawer
- T4589** i.life S 80cm compact vanity washbasin, 1 taphole
- E0157** Wall fixing set
- BD246** Ceraplan single lever basin mixer, with click waste
- EE230339** Space saving trap and waste pipe assembly for use with furniture basin units

## ILLUSTRATED PRODUCT DETAILS

### Sizes

**T4589** w:810 x d:385

### Weights

**T5685** 17.90 KG

**T4589** 17.70 KG

**E0157** 0.16 KG

**BD246** 1.77 KG

**EE23033** 0.10 KG

**9**

### Materials

**T5685** Mixed Material

**T4589** Vitreous China

**E0157** Metal

**BD246** Chrome Plated Brass


**EE23033** Plastic

**9**


### Finishes

**T5685**  Matt White (Y1)

**T4589**  White (01)

**E0157**  Neutral/No Finish (67)

**BD246**  Chrome (AA)

**EE23033**  Neutral/No Finish (67)

### Capacity

**T4589** 7.2 litres

### Flow rates

**BD246** 3.8 Litres per minute @ 3 bar pressure

## FINISH OPTIONS



(Y1) Matt White



(Y2) Matt Anthracite



(Y3) Matt Sunset



(Y4) Smoked Oak



(Y5) Dark Walnut



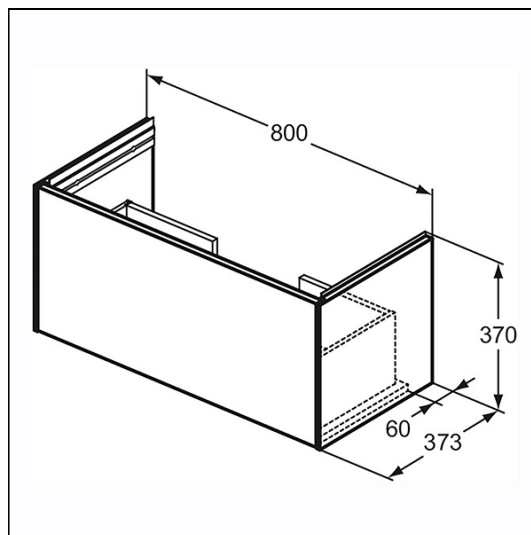
(Y6) Light Oak

### Standards

EN 14749:2005

### Special Notes

Furniture units should be installed in a bathroom with adequate ventilation. Mounting kit included. Always use appropriate fixings to suit the type of wall.



## ACCREDITATIONS



## FEATURES

